

8 7 6 5 4 3 2 1

F

F

E

E

D

D

C

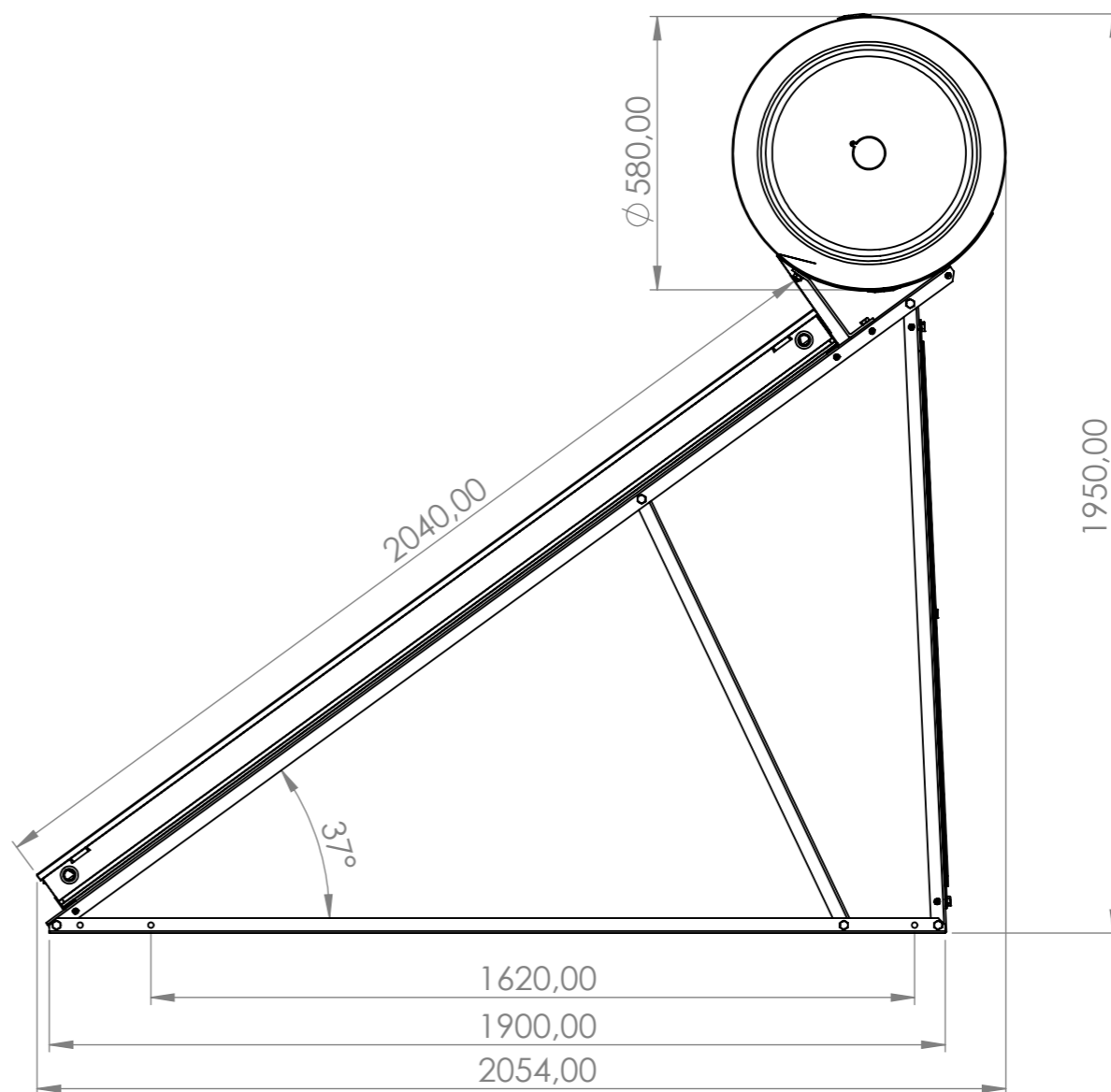
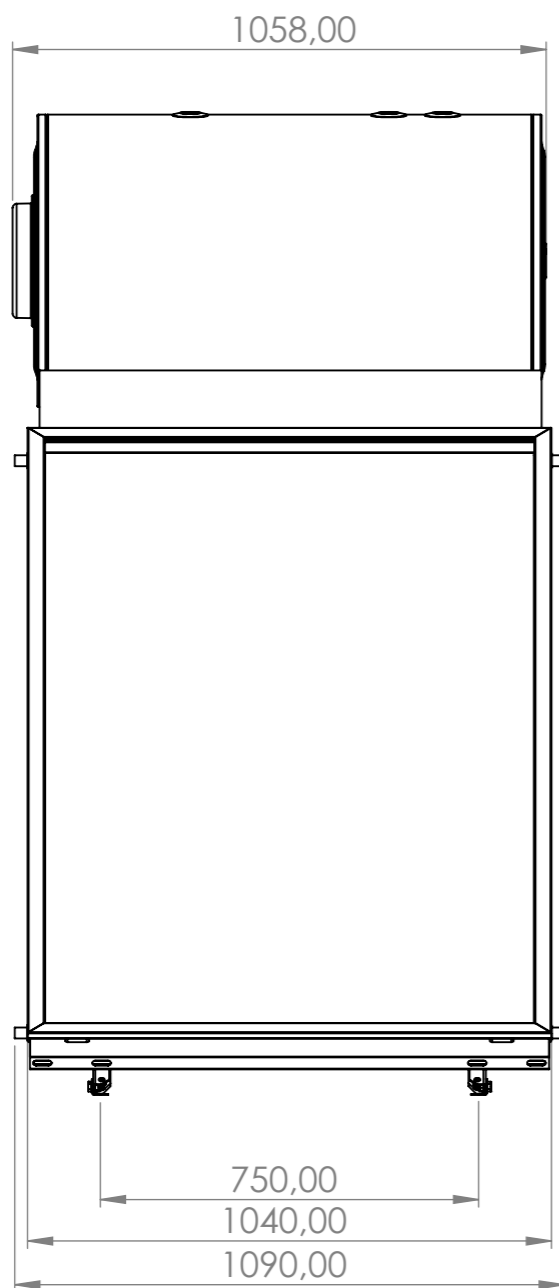
C


B

B

A

A



UNLESS OTHERWISE SPECIFIED: DIMENSIONS ARE IN MILLIMETERS SURFACE FINISH: TOLERANCES: LINEAR: ANGULAR:				FINISH:		DEBURR AND BREAK SHARP EDGES		DO NOT SCALE DRAWING		REVISION	
								 SOLLAR THERMAL SYSTEMS			
								TITLE:			
DRAWN		SPANOS TH		SIGNATURE		DATE		DWG NO.		A3	
CHK'D		MICHALOPOULOS						A168-37NV		SHEET 1 OF 1	
APPV'D		MICHALOPOULOS									
MFG											
Q.A		GEORGIU				MATERIAL:		SCALE:1:50			
						WEIGHT:					

8 7 6 5 4 3 2 1