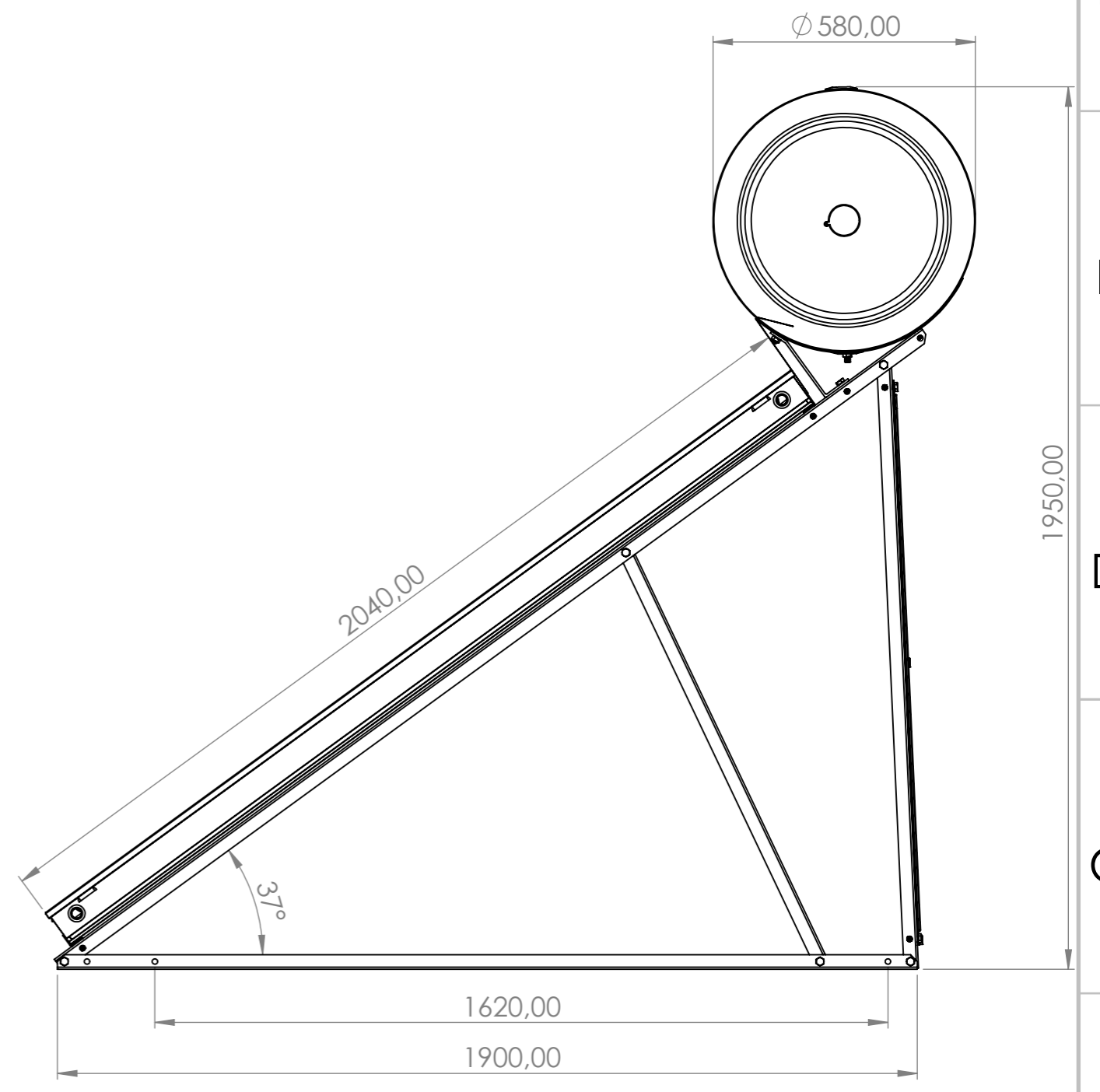
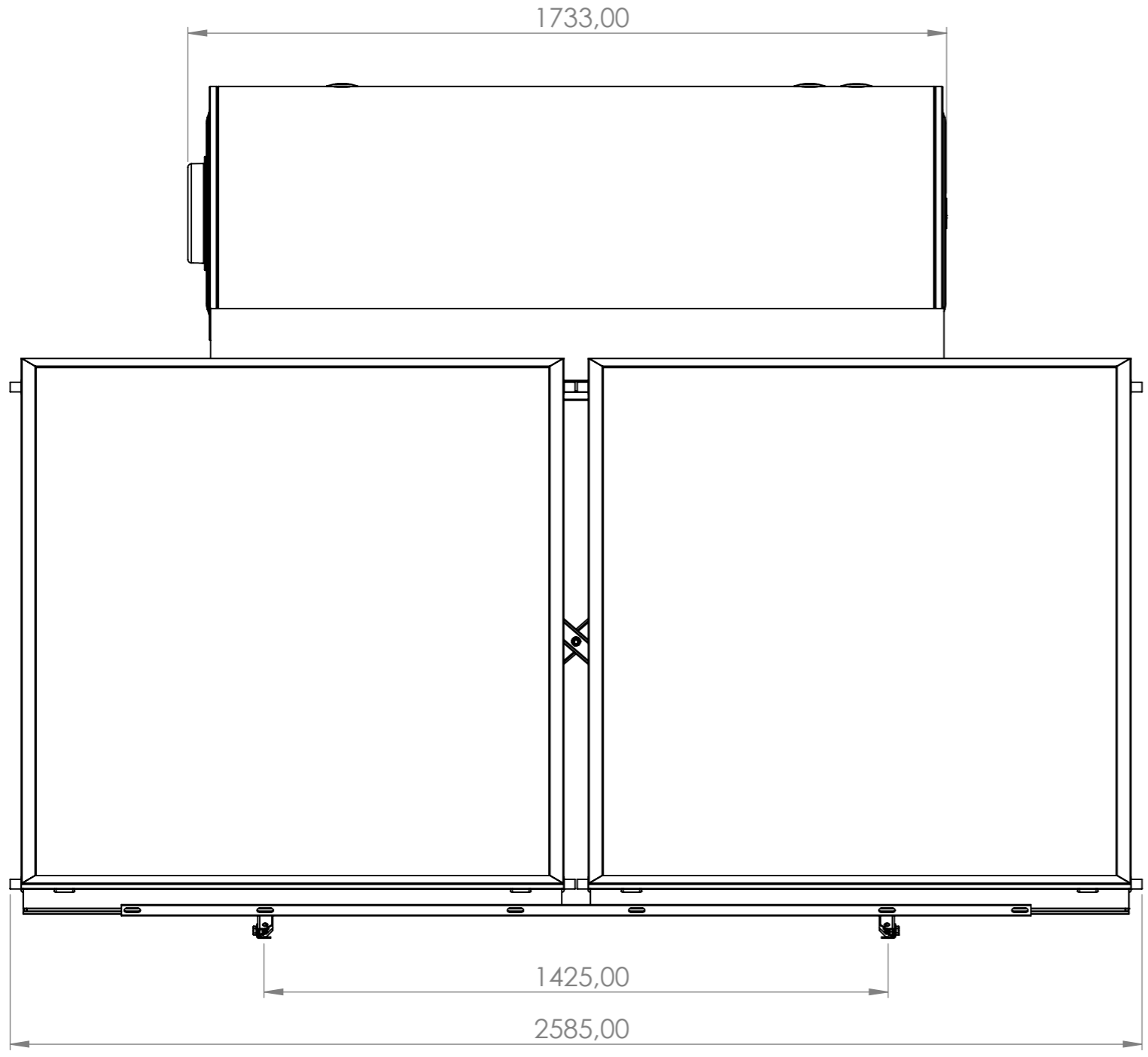



8 7 6 5 4 3 2 1

F  
E  
D  
C  
B  
A



UNLESS OTHERWISE SPECIFIED: DIMENSIONS ARE IN MILLIMETERS SURFACE FINISH: TOLERANCES: LINEAR: ANGULAR:			FINISH:		DEBURR AND BREAK SHARP EDGES		DO NOT SCALE DRAWING		REVISION		
							 SOLLAR THERMAL SYSTEMS				
							TITLE:				
							DWG NO. <b>A328-37NV</b>				A3
							WEIGHT:		SCALE:1:50		SHEET 1 OF 1
NAME	SIGNATURE	DATE									
DRAWN	SPANOS TH										
CHK'D	MICHALOPOULOS										
APPV'D	MICHALOPOULOS										
MFG											
Q.A	GEORGIU					MATERIAL:					

8 7 6 5 4 3 2 1

F  
E  
D  
C  
B  
A