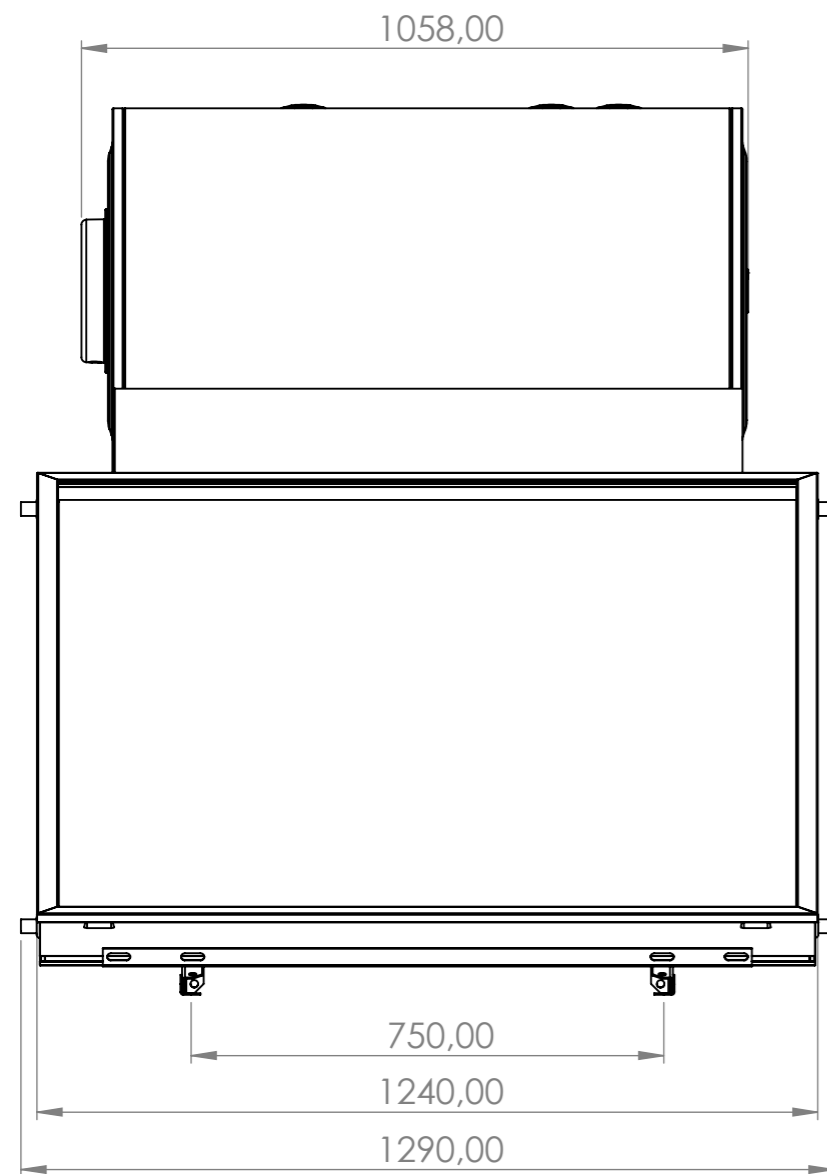


8 7 6 5 4 3 2 1

F

F



E

E

D

D

C

C

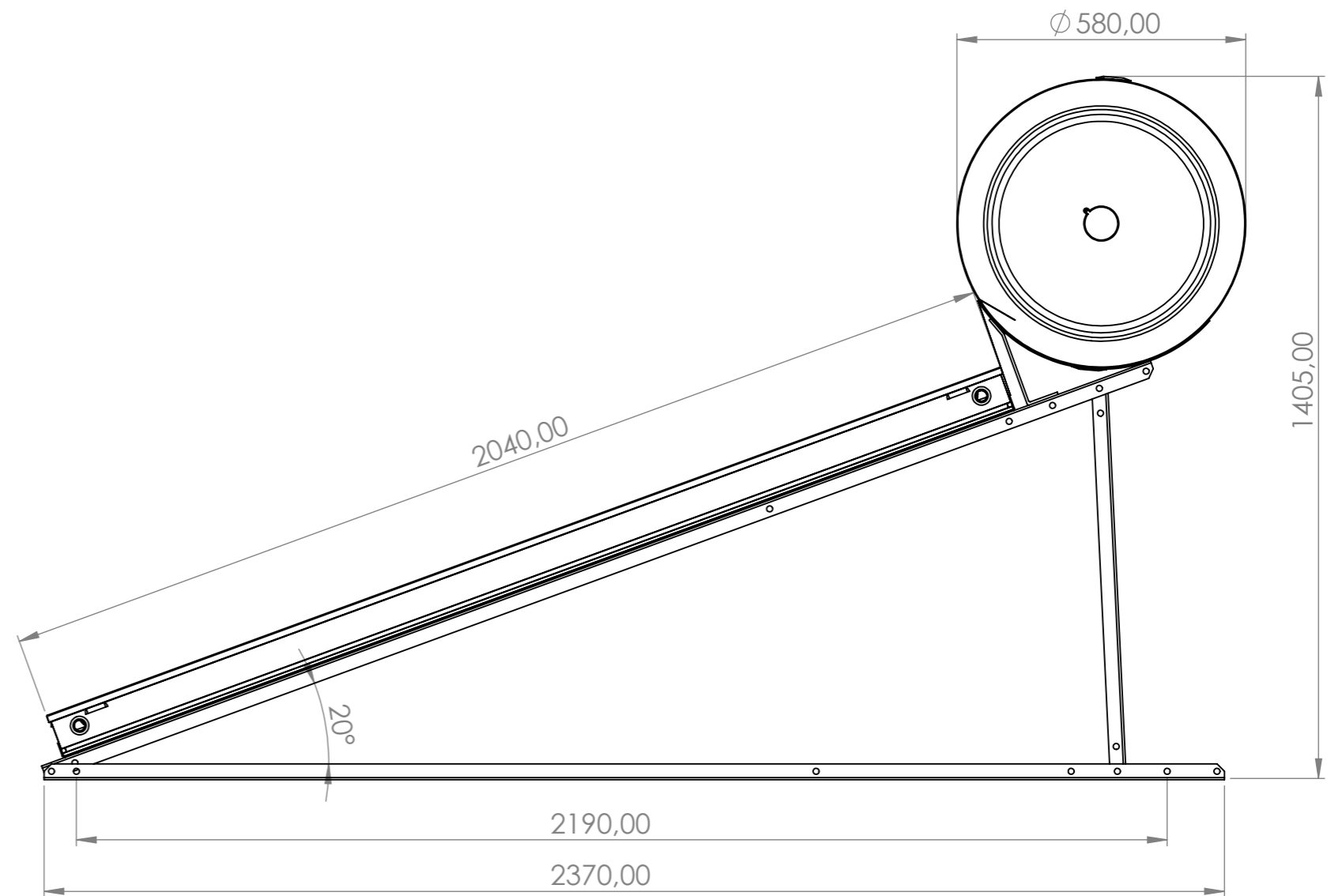
B


B

A

A

8 7 6 5 4 3 2 1



UNLESS OTHERWISE SPECIFIED: DIMENSIONS ARE IN MILLIMETERS SURFACE FINISH: TOLERANCES: LINEAR: ANGULAR:				FINISH:		DEBURR AND BREAK SHARP EDGES		DO NOT SCALE DRAWING		REVISION	
								 SOLAR THERMAL SYSTEMS			
								TITLE:			
DRAWN		SPANOS TH		SIGNATURE		DATE		DWG NO.		A3	
CHK'D		MICHALOPOULOS						A169-20NV		SHEET 1 OF 1	
APPV'D		MICHALOPOULOS									
MFG											
Q.A		GEORGIU				MATERIAL:					
								WEIGHT:			
								SCALE:1:50			