

8 7 6 5 4 3 2 1

F

F

E

E

D

D

C

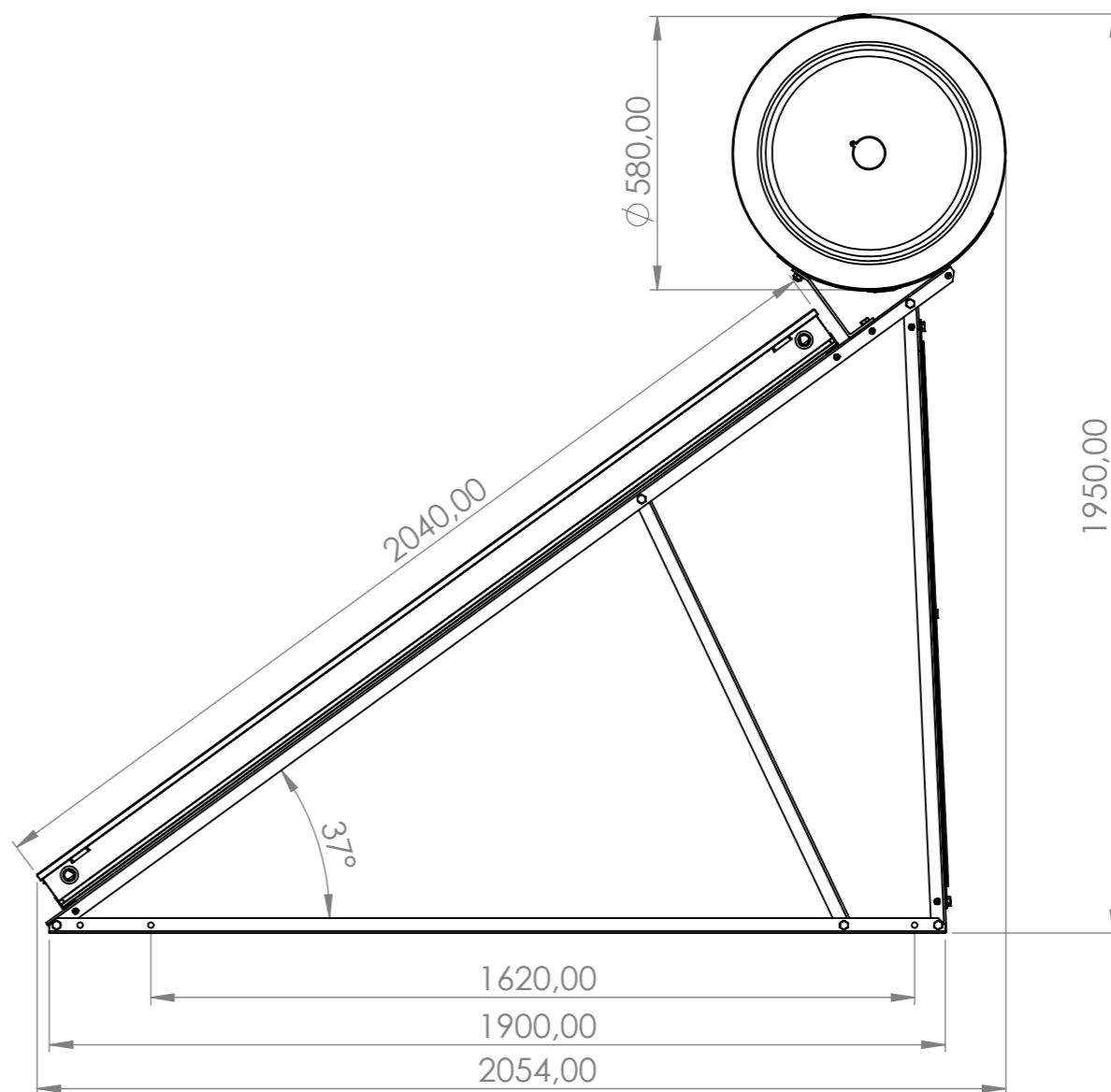
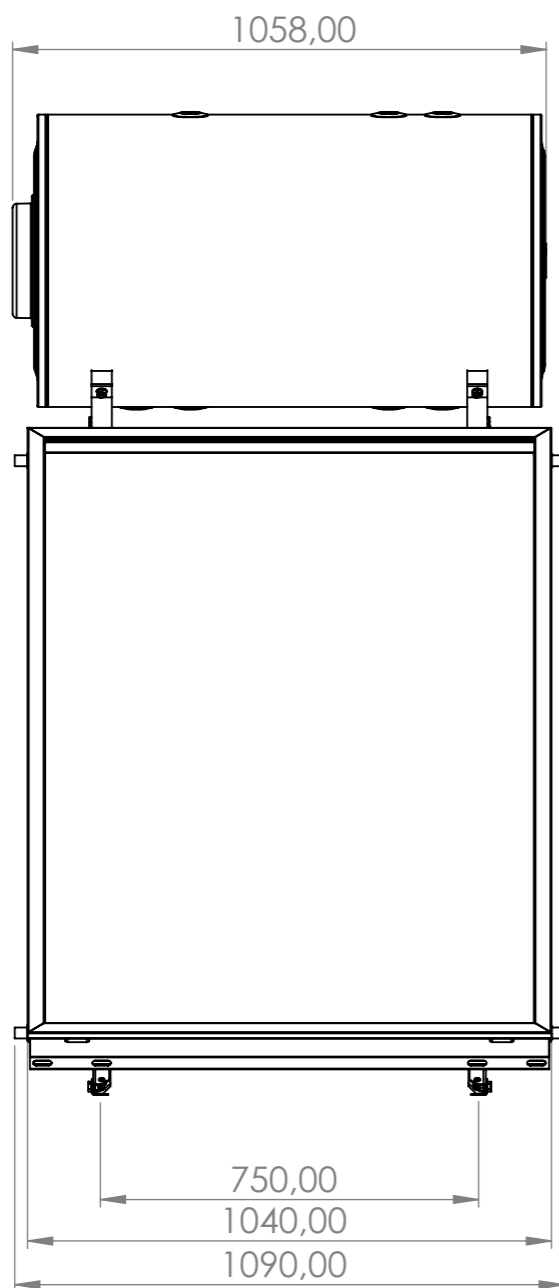
C


B

B

A

A



UNLESS OTHERWISE SPECIFIED: DIMENSIONS ARE IN MILLIMETERS SURFACE FINISH: TOLERANCES: LINEAR: ANGULAR:				FINISH:		DEBURR AND BREAK SHARP EDGES		DO NOT SCALE DRAWING		REVISION	
								 SOLLAR THERMAL SYSTEMS			
								TITLE:			
DRAWN				SPANOS TH							
CHK'D				MICHALOPOULOS							
APPV'D				MICHALOPOULOS							
MFG											
Q.A				GEORGIU		MATERIAL:		DWG NO.		A3	
								S160-21-37NV			
						WEIGHT:		SCALE:1:50		SHEET 1 OF 1	

8 7 6 5 4 3 2 1