

8 7 6 5 4 3 2 1

F

F

E

E

D

D

C

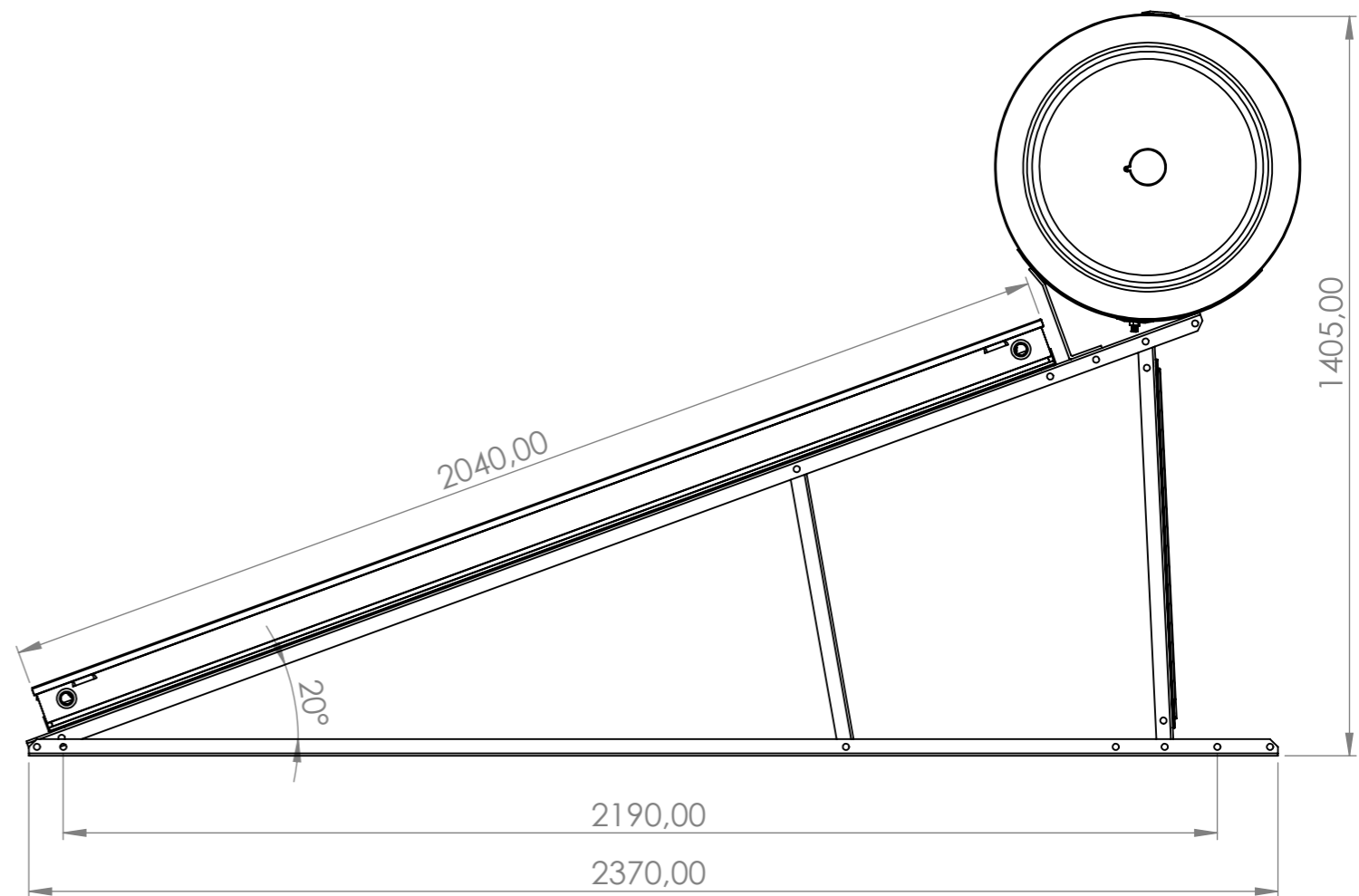
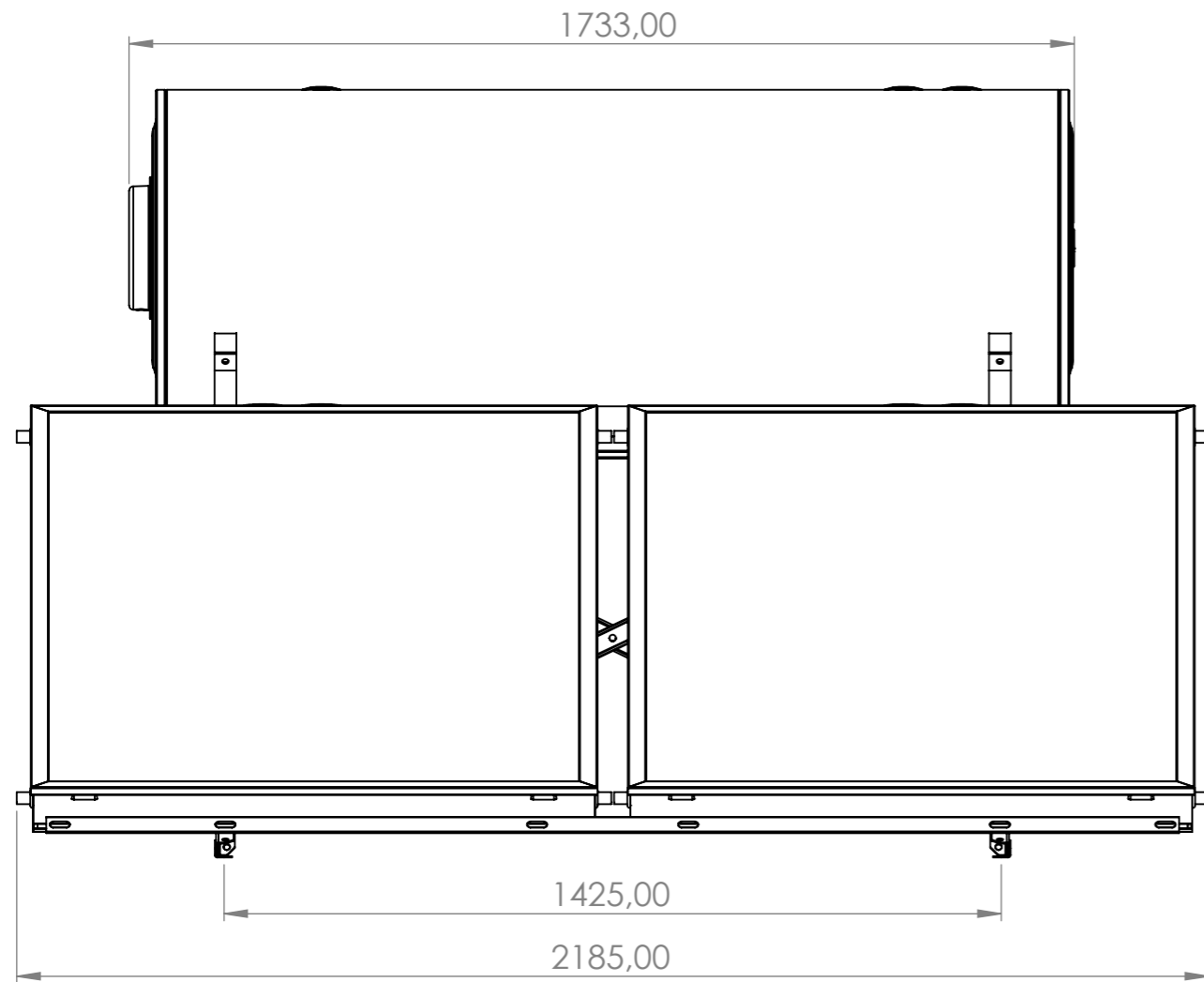
C


B

B

A

A



UNLESS OTHERWISE SPECIFIED: DIMENSIONS ARE IN MILLIMETERS SURFACE FINISH: TOLERANCES: LINEAR: ANGULAR:			FINISH:		DEBURR AND BREAK SHARP EDGES		DO NOT SCALE DRAWING		REVISION				
							 Sammler [®] SOLAR THERMAL SYSTEMS						
							TITLE:						
							DWG NO.		S300-42-20NV			A3	
							WEIGHT:		SCALE:1:50		SHEET 1 OF 1		
DRAWN		SPANOS TH		SIGNATURE		DATE							
CHK'D		MICHALOPOULOS											
APPV'D		MICHALOPOULOS											
MFG													
Q.A		GEORGIU				MATERIAL:							

8 7 6 5 4 3 2 1