

8 7 6 5 4 3 2 1

F

F

E

E

D

D

C

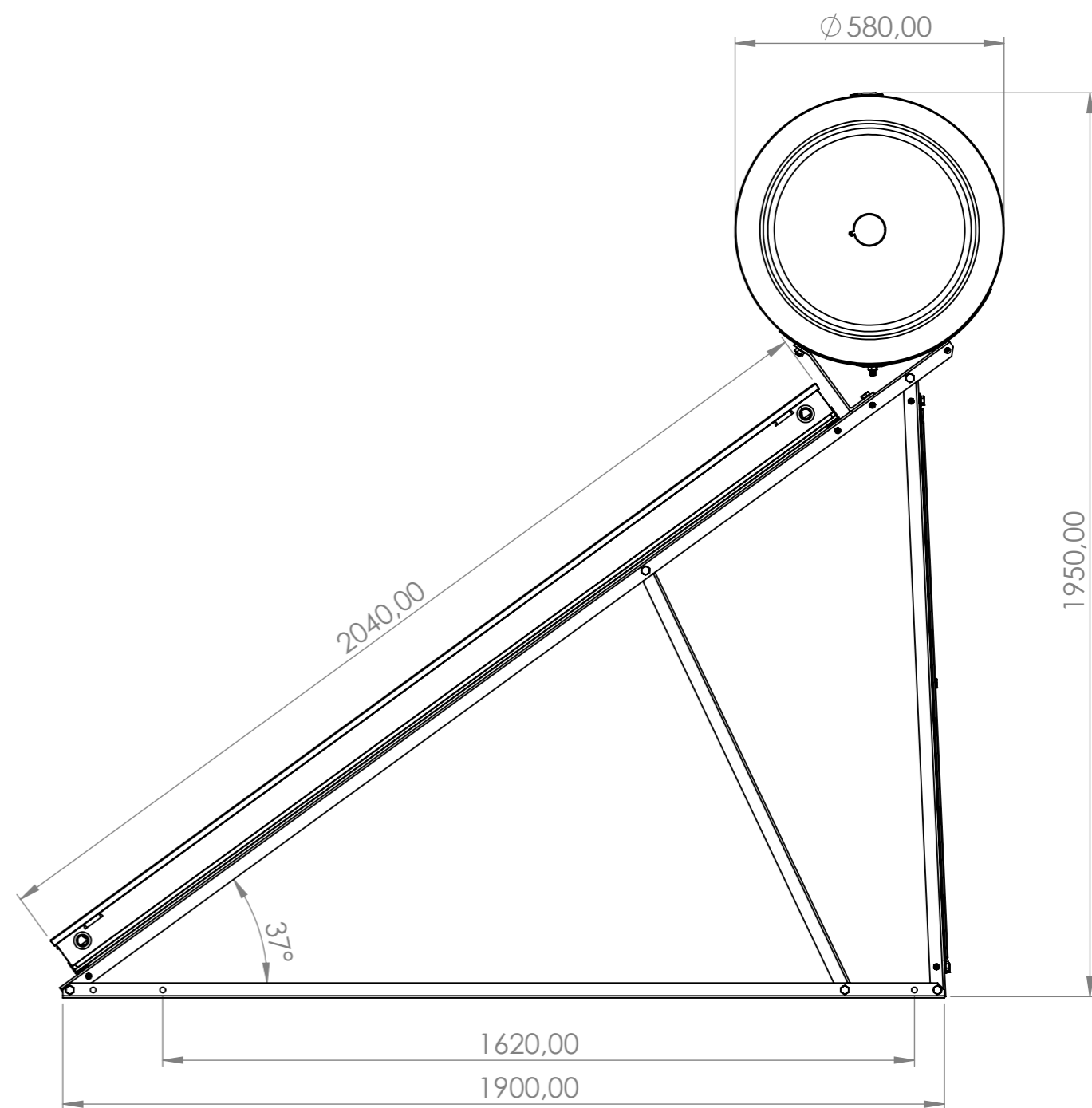
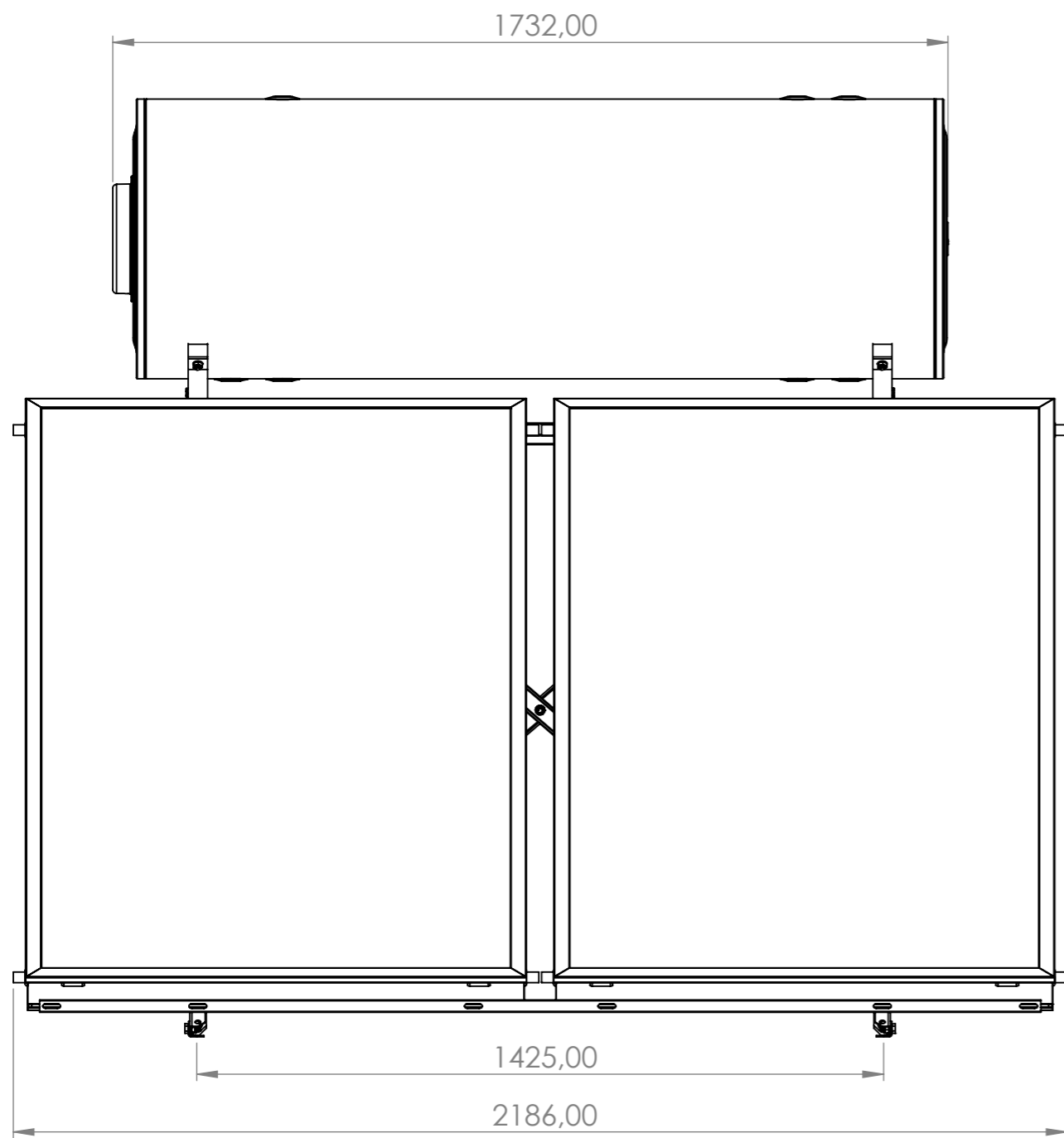
C


B

B

A

A



UNLESS OTHERWISE SPECIFIED: DIMENSIONS ARE IN MILLIMETERS SURFACE FINISH: TOLERANCES: LINEAR: ANGULAR:		FINISH:		DEBURR AND BREAK SHARP EDGES		DO NOT SCALE DRAWING		REVISION	
						 SOLLAR THERMAL SYSTEMS			
						TITLE:			
						DWG NO.		A3	
						S300-42-37NV			
						WEIGHT:		SCALE:1:50	
								SHEET 1 OF 1	
NAME	SIGNATURE	DATE							
DRAWN	SPANOS TH								
CHK'D	MICHALOPOULOS								
APPV'D	MICHALOPOULOS								
MFG									
Q.A	GEORGIU				MATERIAL:				

8 7 6 5 4 3 2 1