

8 7 6 5 4 3 2 1

F

F

E

E

D

D

C

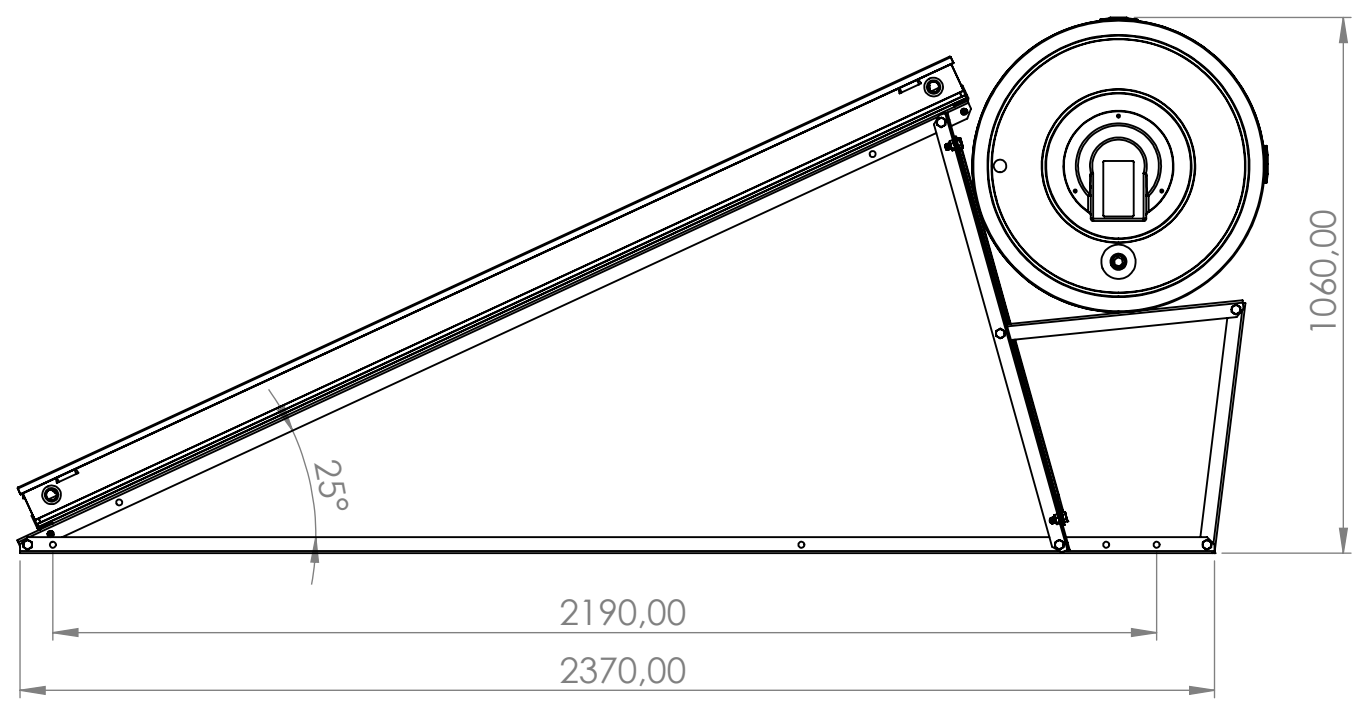
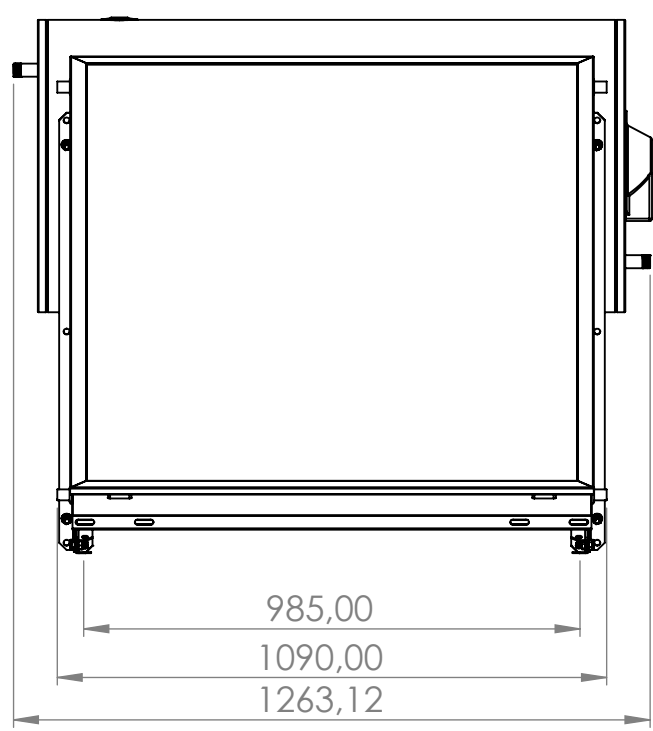
C


B

B

A

A



UNLESS OTHERWISE SPECIFIED: DIMENSIONS ARE IN MILLIMETERS SURFACE FINISH: TOLERANCES: LINEAR: ANGULAR:			FINISH:		DEBURR AND BREAK SHARP EDGES		DO NOT SCALE DRAWING		REVISION			
							 <b>Sammler</b> <sup>®</sup> SOLAR THERMAL SYSTEMS					
							TITLE:					
							DWG NO. <b>SSH208NV</b>				A3	
							SCALE:1:50				SHEET 1 OF 1	
DRAWN		NAME		SIGNATURE		DATE						
CHK'D		MICHALOPOULOS										
APPV'D		MICHALOPOULOS										
MFG												
Q.A		GEORGIU						MATERIAL:				
								WEIGHT:				

8 7 6 5 4 3 2 1