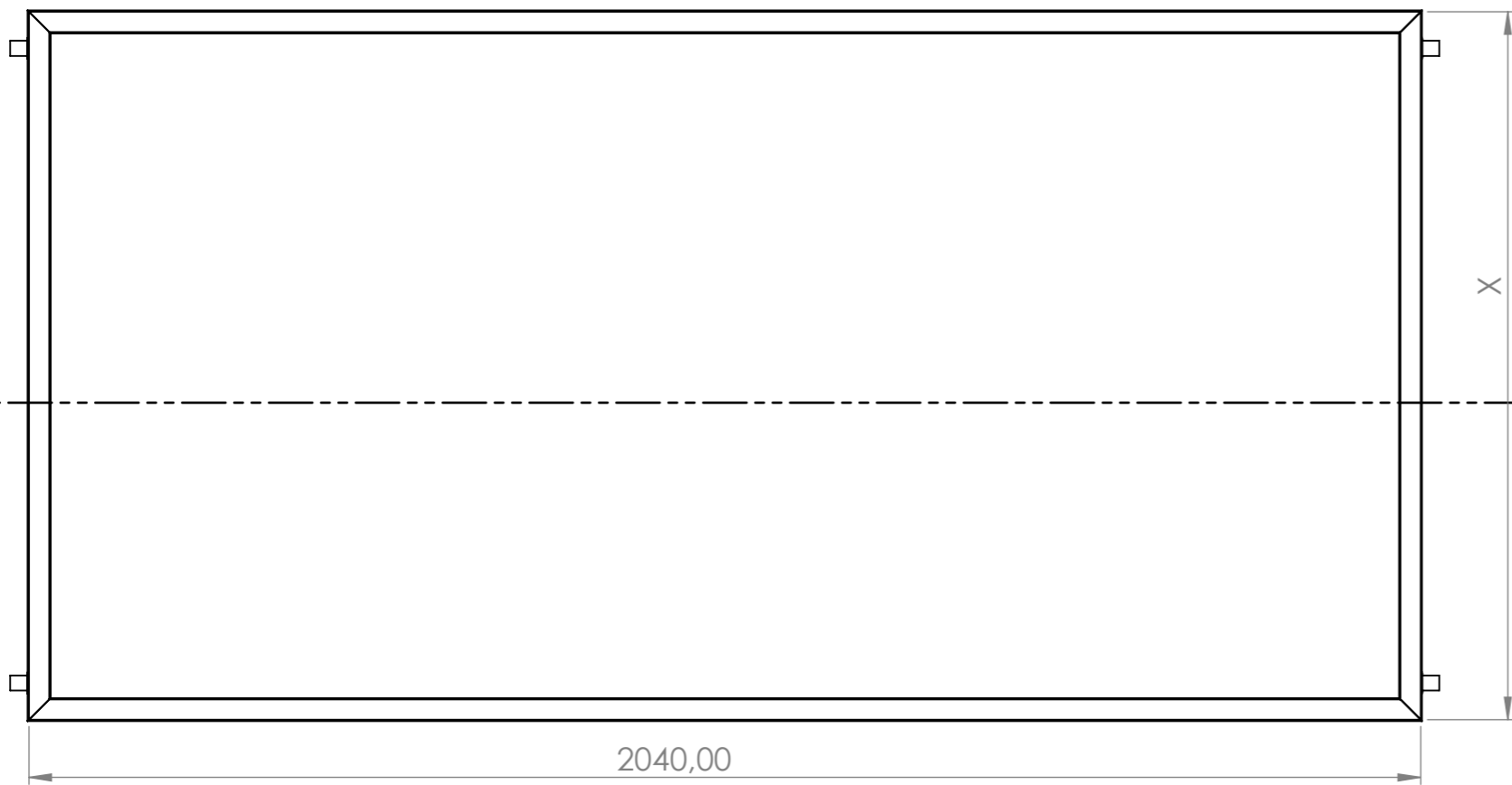
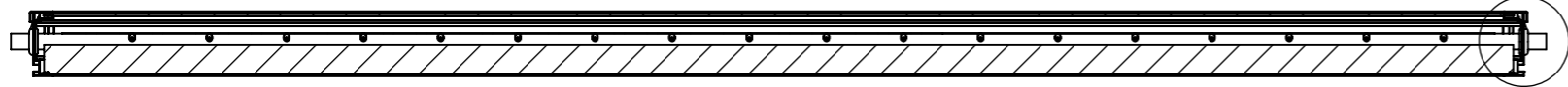


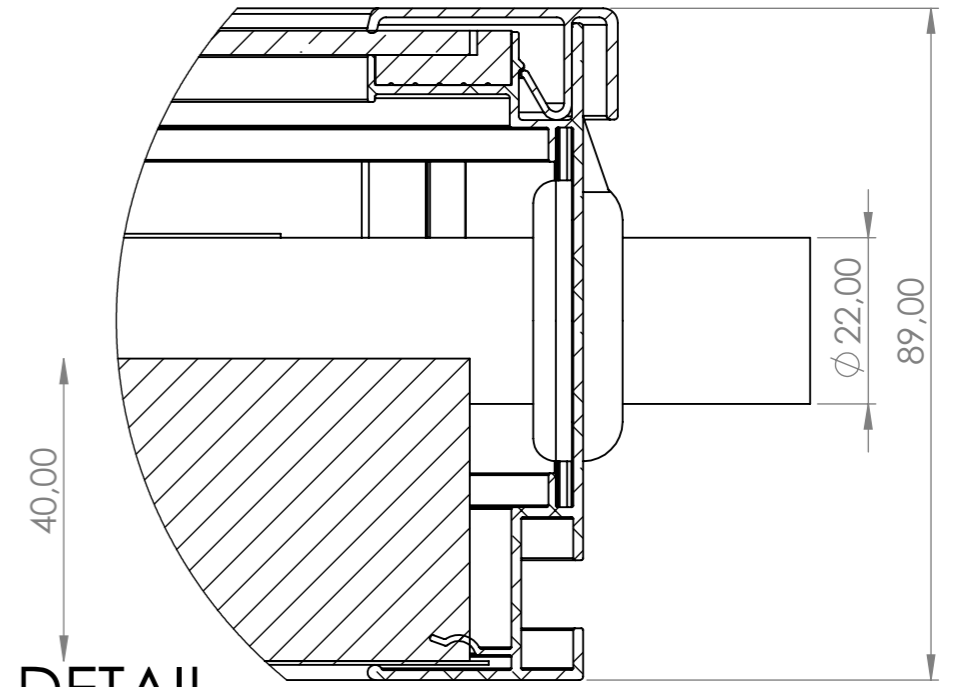
8 7 6 5 4 3 2 1




ARIS2004H: X= 1040,00 mm  
 ARIS2304H: X= 1140,00 mm  
 ARIS2504H: X= 1240,00 mm  
 ARIS2904H: X= 1440,00 mm



SECTION A-A  
 SCALE 1 : 10



DETAIL B  
 SCALE 1 : 1

UNLESS OTHERWISE SPECIFIED: DIMENSIONS ARE IN MILLIMETERS		FINISH:		DEBURR AND BREAK SHARP EDGES		DO NOT SCALE DRAWING		REVISION	
SURFACE FINISH:									
TOLERANCES: LINEAR: ANGULAR:								TITLE:	
DRAWN	SPANOS TH	SIGNATURE	DATE			DWG NO.		ARIS H_series	
CHK'D	MICHALOPOULOS					SCALE:1:20		A3	
APPV'D	MICHALOPOULOS					SHEET 1 OF 1			
MFG									
Q.A	GEORGIU			MATERIAL:					
				WEIGHT:					

8 7 6 5 4 3 2 1